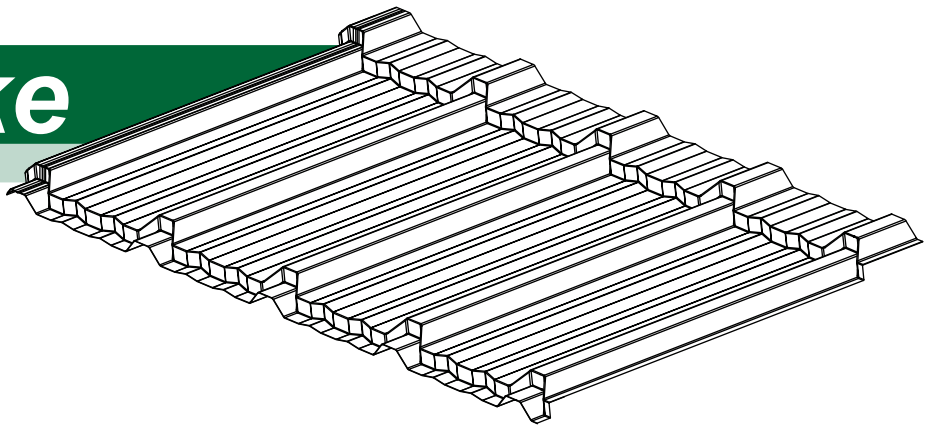


EASY Shake

AVAILABLE COLOURS



Midnight Black



Charcoal



Green



Dark Red



Burnished Slate

These colours are intended only as an approximation of actual colors.
Exact color chips can be supplied if required.



P.O. Box 130
35 C Meredith Street
Manitowaning, ON
P0P 1N0

www.terrastar.ca
Fax: (705) 859-3783
Phone: (705) 859-3637
Toll Free: 1-855-859-3637