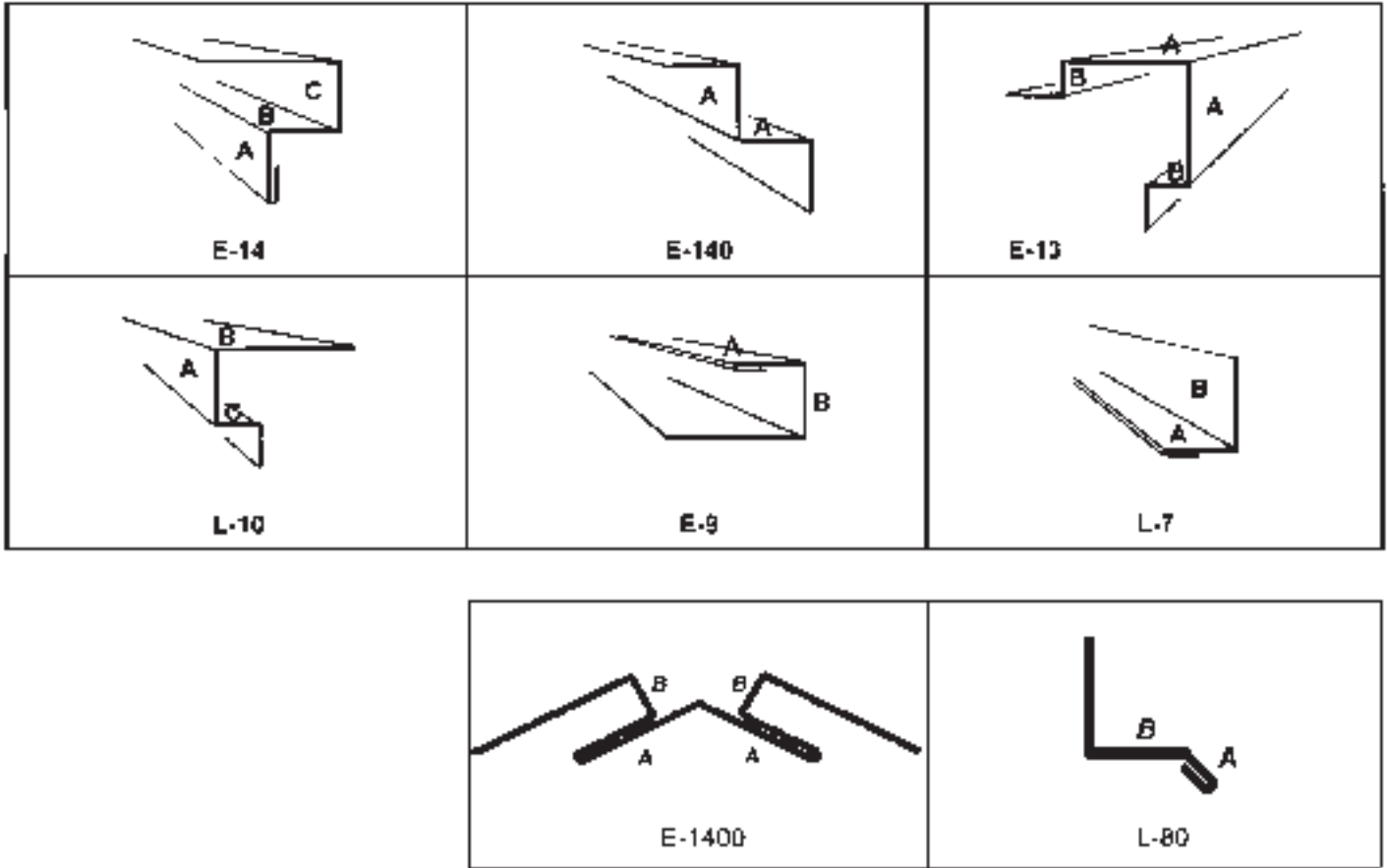


# Interior Liners

## G-Rib 36" White Shop Liner



Item & Description	Part #
Inside Corner A=1" B=1"	E-14
W - Inside Corner A=1"	E-140
Inside Ridge A=1" B=1 1/2"	E-1400
Outside Corner A=3 1/2"	E-13
Shop Jamb A=2" B=2 1/2" C=1"	L-10
J-Trim A=1" B=7/8"	E-9
Shop Base A=1" B=1 1/2"	L-7
1" Drip A=5/8" B=1"	L-80
41" x 10' Flat Stock	E-41

Note: For interior steel shop liner all fasteners will be supplied in standard white.